



BROOKE GenII – 45 mm reflector family for COBs

BROOKE-G2 family is a series of compact sized (D45 mm) reflectors to set a new standard for socket based LED lighting. The system is optimized for lighting manufacturers to construct more compact sized luminaires with modern high density COBs that have smaller LES's. In addition LEDiL's patented BARBARA-RZ color mixing sublens can be attached between the reflector and the holder for multi-colour or tunable white light applications. The lens can also be used to smoothen out and remove any unwanted color-over-angle artefacts from the beam. Durable, adaptive and user-friendly, that's what the new BROOKE-G2 is about.

- » Compact size reflectors for high density COBs with smaller LES's
- » Socket based structure for easy upgrades and wide compatibility
- » Very good heat resistance

FEATURES and BENEFITS

- S, M and W variants
- Range of LEDiL sockets for different COBs
- Optional color mixing sublens allows smoother light distribution with patented color mixing features

TYPICAL APPLICATIONS

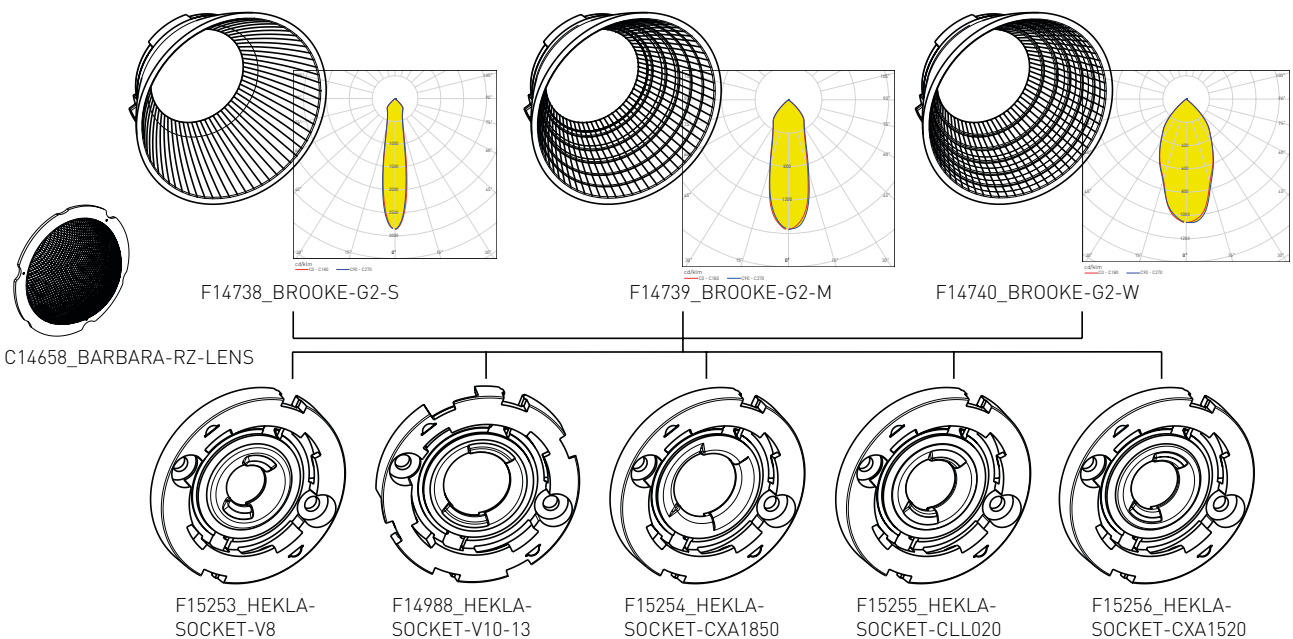
- Directional indoor architectural luminaires
- Track lighting
- Recessed downlights
- Retail lighting

TECHNICAL SPECIFICATIONS

- Diameter: 45 mm
- Height: 19,7 mm [21 mm with socket]
- Typical FWHM
 - BROOKE-G2-S: 18°
 - BROOKE-G2-M: 28°
 - BROOKE-G2-W: 47°
- Typical efficiency: 92%

COMPATIBILITY

- BROOKE-G2: up to 18mm LES sizes
- BROOKE-G2+HEKLA: up to 13mm LES



ORDERING INFORMATION

Dedicated sockets for a range of COBs available, check www.ledil.com/Brooke-G2 for currently available options. Consult www.ledil.com for ordering codes and latest product specifications, which may vary by LED