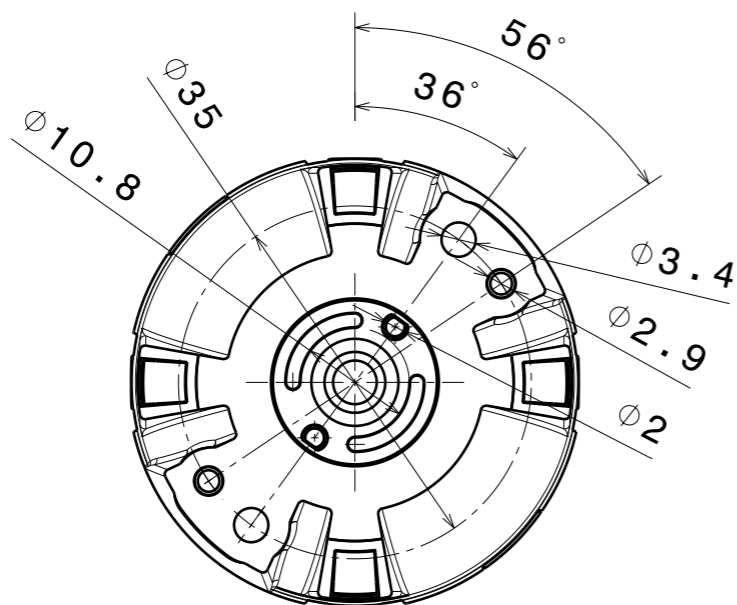


Isometric view
Scale: 4:3



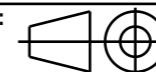
INDEX	PART NO	DESCRIPTION	MATERIAL	COLOUR
1	C15527	GABRIELLA-45-S	PMMA	clear
2	C15528	GABRIELLA-45-HLD	PC	black

Tolerances if not otherwise shown
According to DIN ISO 2768-1
Linear measures:
Up to 30mm class M, otherwise class C.
According to DIN ISO 2768-2
Form and position: class L

LEDiL

Ledil Oy
Salorankatu 10
FIN 24240 SALO
Finland

THIRD ANGLE PROJECTION:



DRAWING TITLE

CN15529_GABRIELLA-45-S

This drawing is the property
of LEDiL Oy. It may not be
reproduced, copied or
communicated without a written
agreement with LEDiL Oy.

SIZE PART NUMBER

A3

CN15529

SCALE

4:3

WEIGHT

34,7 g

SHEET

1/1